

QUIET

ASSEMBLY-FRIENDLY

SAFE

Shut-off damper BSK-RPR

- Easy installation in light-weight partition walls



Air diffusers
Air to water systems
Ventilation grille
Fire prevention
Sound insulation

Building control system
Living space ventilation
Shut-off devices

Control units
Filter diffusers
Laboratory ventilation
systems



BSK-RPR

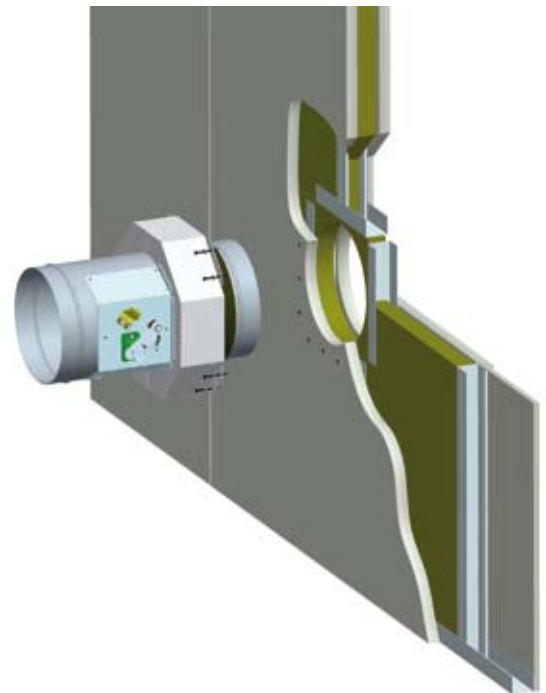
Easy, quick and clean assembly

The round shut-off damper BSK-RPR is used as shut-off device of fire lobbies in room air ventilation systems.

The BSK-RPR fitted with mounting frame is suitable for installation in lightweight partition walls. This special mounting frame allows the damper to be installed in the wall at any position, independently of the existing metal post profiles belonging to the wall. This allows the damper to be installed in a previously completely planked wall. The metal post replacement profiles do not have to be taken into account when mounting the wall. Instead four frame parts will be subsequently installed as part of the BSK-RPR assembly. Without profile replacement, planning and mounting are greatly simplified.

Further properties:

- Tested according to DIN EN 1366-2 in conjunction with DIN-EN 1363-1
- Classification according to DIN EN 13501-3: EI90 (ve, ho, i->o)S
- Connection to flammable and non-flammable ventilation ducts.
- Installation independently of the air direction possible
- Diameters from 100 mm to 250 mm
- with general building supervisory approval No. Z-41.3-681
- Approved mounting of a spring return actuator allows triggering via smoke detectors
- Installation situations:
 - in massive walls/ceilings
 - in massive walls by means of mounting frame (dry installation)
 - in light-weight walls according to DIN 4102-4 Table 48
 - in shaft walls
 - in light-weight partition walls
- A small damper blade thickness (20 mm) and the omission of stop profiles increase the free cross-section and reduce the sound power and pressure losses



Shut-off damper BSK-RPR with mounting frame